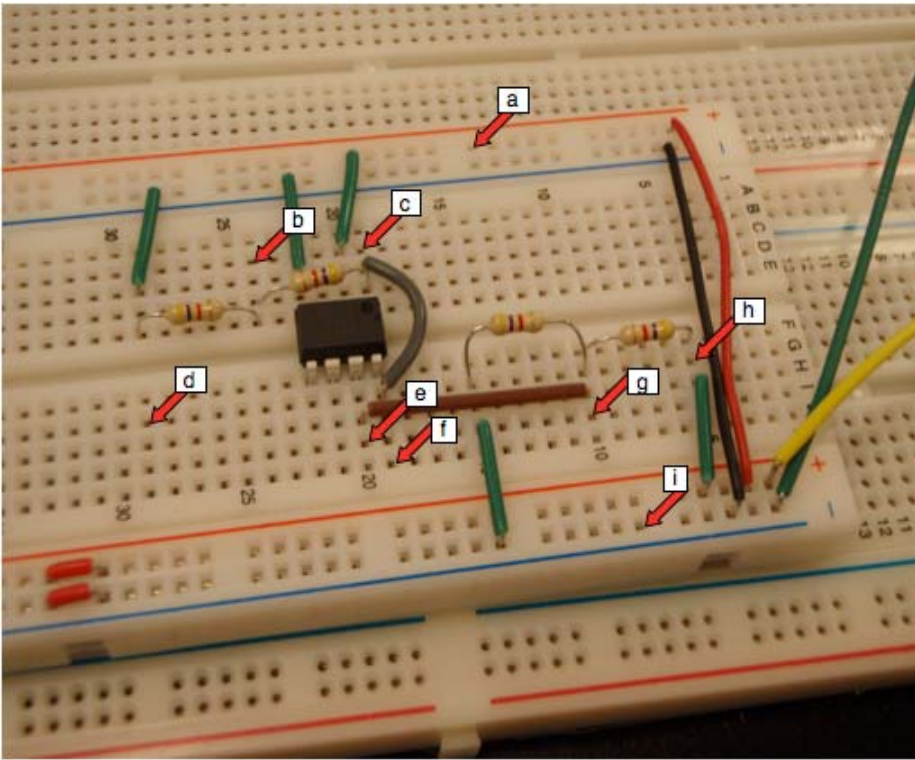
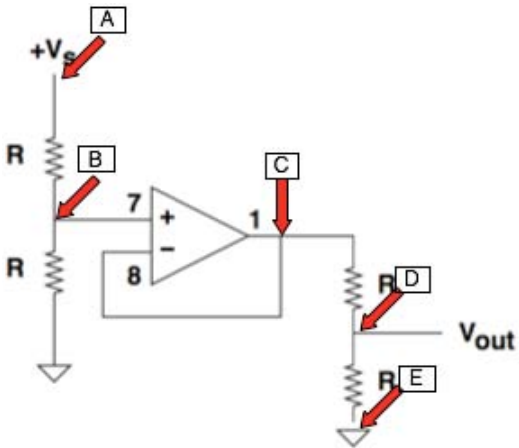


## Problem Wk.8.3.1: Name that node

For each location in this photograph of a electronic circuit prototype on a breadboard (labeled with a small letter):

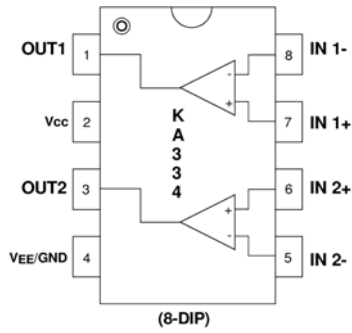


enter what location in the schematic (labeled with large letters) it corresponds to:



Note that the yellow wire going off to the right goes to the positive power supply and the green wire goes to ground.

Recall that the pins on the op-amps are as follows



The op-amp package in the circuit has the dot (next to OUT1) on the top right-hand corner.

The valid answers are A, B, C, D, E or none

1. Location a:
2. Location b:
3. Location c:
4. Location d:
5. Location e:
6. Location f:
7. Location g:
8. Location h:
9. Location i:

MIT OpenCourseWare  
<http://ocw.mit.edu>

6.01SC Introduction to Electrical Engineering and Computer Science  
Spring 2011

For information about citing these materials or our Terms of Use, visit: <http://ocw.mit.edu/terms>.