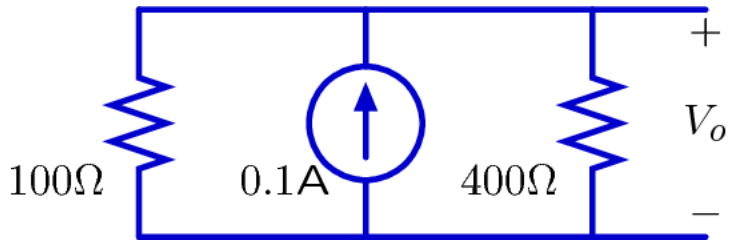


## Problem Wk.8.3.5: Circuits

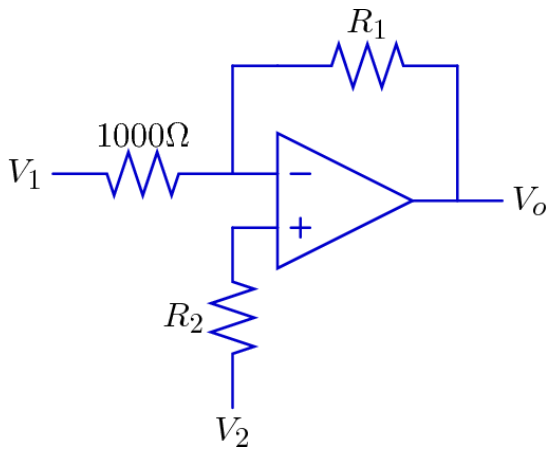
1. Find  $V_0$  in this circuit



$V_0 =$

2. Making the ideal op-amp assumption, find  $R_1$ ,  $R_2$ , and  $V_2$  so that:

$$V_0 = 1 - \frac{V_1}{4}$$



Enter a number for each value that is uniquely determined. Enter the word `any` if any value works.

$R_1 =$

$R_2 =$

$V_2 =$

MIT OpenCourseWare  
<http://ocw.mit.edu>

6.01SC Introduction to Electrical Engineering and Computer Science  
Spring 2011

For information about citing these materials or our Terms of Use, visit: <http://ocw.mit.edu/terms>.